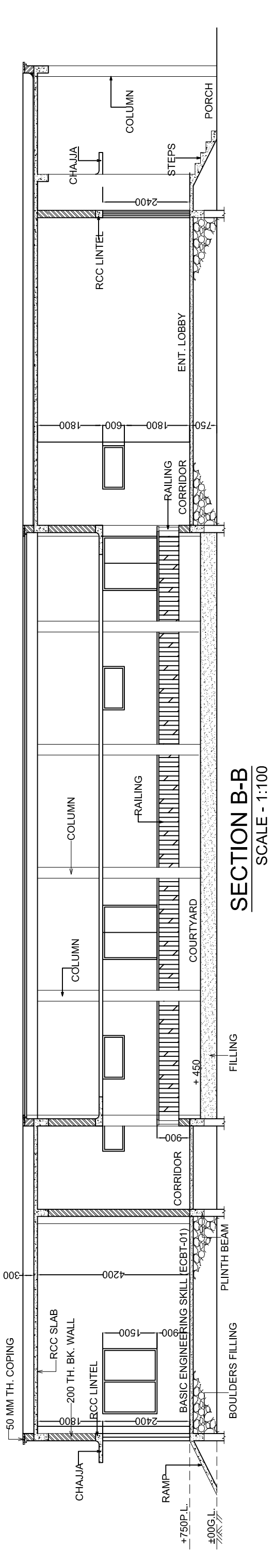
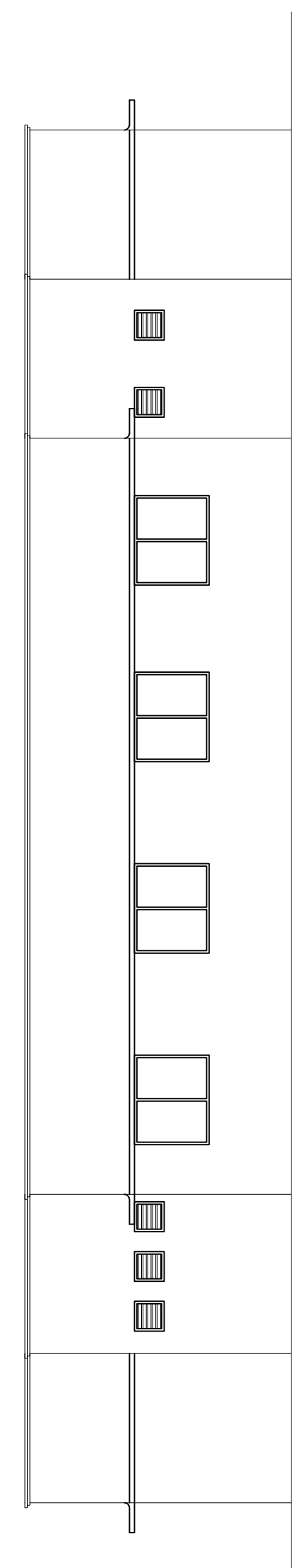


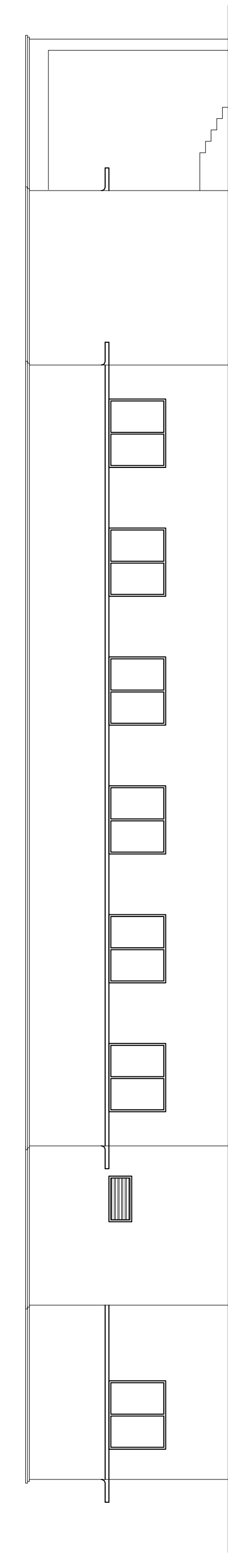
D.K.& ASSOCIATES. 59-B KASTURBA NAGAR, BHOPAL - 462-024 TEL/ FAX - 2601646		ARCHITECTS	
PROJECT : EXECUTIVE ENGINEER MP HOUSING BOARD, RATLAM ASSISTANT ENGINEER MP HOUSING BOARD, RATLAM SUB ENGINEER MP HOUSING BOARD, RATLAM			
DATE : DATE NO. REVISION DATE 21/07/08 DATE 21/07/08		CONSTRUCTION WORK, DEVELOPMENT WORK, ADDITIONAL WORKS OF I.T. UNDER COE AT RAMPURA, NEEMUCH (M.P.) (COE - ELECTRICAL ENGINEERING)	
TITLE : LINTEL LEVEL PLAN, SECTION, ELEVATIONS AND RAILING DETAIL		DATE : DATE NO. REVISION DATE 21/07/08	
SCALE : 1:100 DRG. NO. : IT/1RAM/AR/03		DATE : DATE NO. REVISION DATE 21/07/08	
SCALE : 1:100 DRG. NO. : IT/1RAM/AR/03		DATE : DATE NO. REVISION DATE 21/07/08	



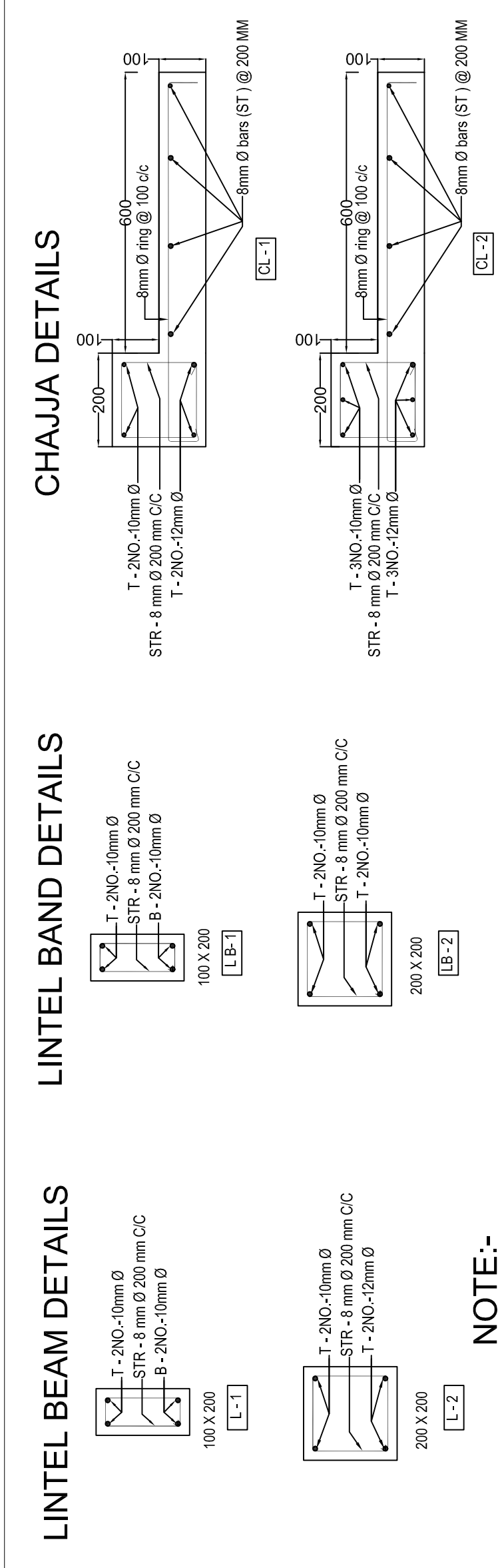
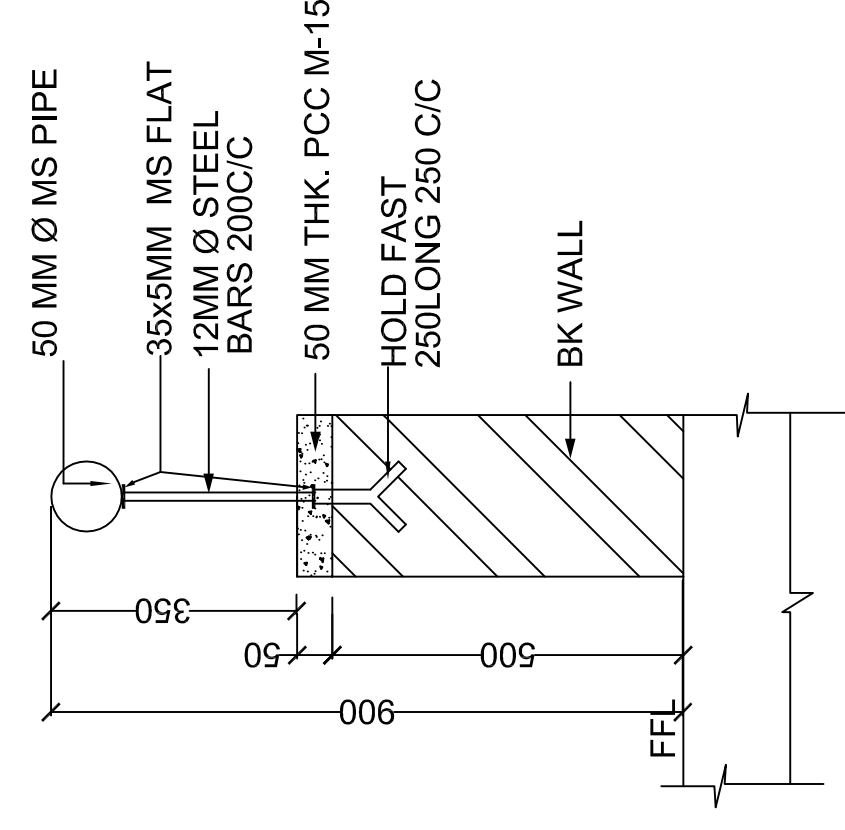
BACK SIDE ELEVATION
SCALE - 1:100



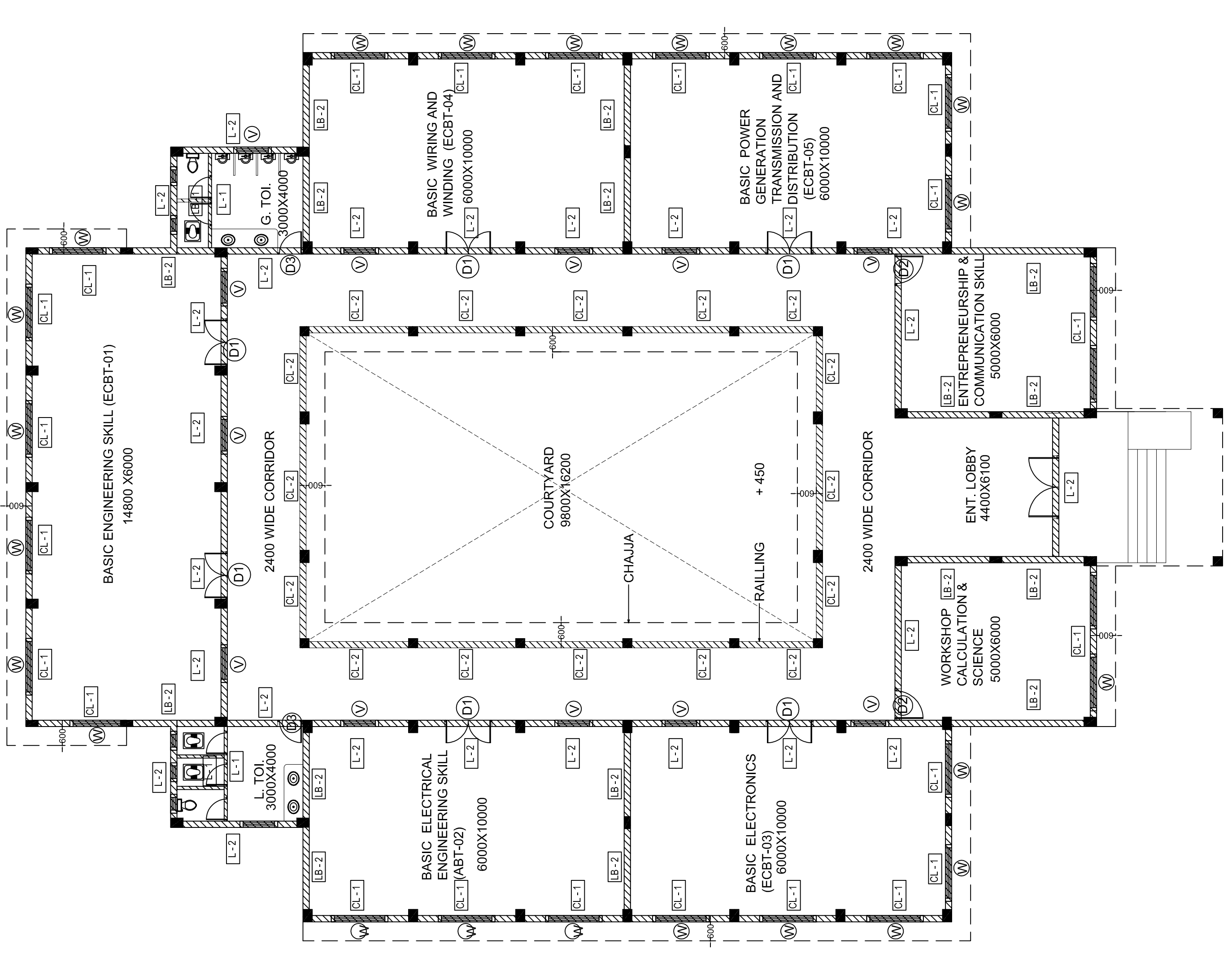
LEFT SIDE ELEVATION
SCALE - 1:100



RAILING DETAIL
SCALE 1:10



NOTE:-
 1) CONTINUOUS LINTEL BEAM OF SPECIFIED DETAIL SHALL BE PROVIDED AT ALL OPENINGS.
 2) WHERE THERE IS NO OPENING, CONTINUOUS LINTEL BAND OF SPECIFIED DETAIL SHALL BE PROVIDED.
 3) GRADE OF CONCRETE USED IN LINTEL BEAM, LINTEL BAND & CHAJJA SHOULD BE NOT LESS THAN M-20.



LINTEL LEVEL PLAN
AT 2.4 M FROM FFL.